



Brightness
500 cd/m²

Contrast Ratio
5000:1

Viewing Angle
178° (H/V)

Response Time
5.5ms (GTG)

Display Resolution
1920 x 1080

ST-HB65AVX 65" Full-HD Industrial LCD Monitor

The ST-HB65AVX display represents the cutting-edge of direct-view LCD technology. It combines ultra-high resolution and unparalleled image quality with configurable I/O in a large format display for a wide range of digital signage and control-room applications.

Key Features

■ Superior Resolution

Full-HD 1080p (1920 x 1080)

■ Ultra-Wide Viewing Angle

178 degree viewing angle

■ Prolonged Life

50,000 hours of viewing time to half of its original brightness

■ Durable and Professional Design

All metal structure
Simplicity bezel design to keep the focus on the content

■ IRFM™

IRFM technology helps prevent image retention

■ Player Mounting Space On Back Panel

(8.7 x 8.7 x 2.3 inch)
Mounting space option for IPC/player



65" Full-HD Industrial LCD Monitor

LCD PANEL

Brightness	500 cd/m ²
Contrast Ratio	5000:1
Viewing Angle	H:178° / V:178°
Response Time	5.5 ms (GTG)
Supported Colors	16.7M colors
Display Resolution	1920 x 1080 (16:9)
Display Frame Rate	120 Hz

SIGNAL COMPATIBILITY / CONNECTIVITY

Horizontal / Vertical Frequency	30 ~ 90 KHz / 56 ~ 75 Hz
Input Resolution	1920 x 1080 @ 60Hz (Analog) 1920 x 1080 @ 60Hz (Digital)
Connector	HDMI 1.3 x 2 / VGA / Component / S-V / AV
Audio In	Mini jack-PC audio in, RCA audio in x 2
Audio Out	S-PDIF out
Communication Port (Transport Protocol)	D-Sub 9 Pin In (RS232C In)

MECHANICAL

Dimensions	1567.6 x 942.6 x 155.7mm / 61.72" x 37.11" x 6.13"
Weight	67kg / 147.71lb
Wall / Arm Mount Type	400 mm x 400 mm, 600 mm x 400 mm VESA
Fanless Design	Yes

OSD FUNCTIONS

OSD Control	RS232C, Push Button, IR Remote Controller
OSD Language	English, Chinese
Multimedia	PIP, PBP (side by side), Zoom
Source Auto Detect	Yes
OSD Key Lock	Yes

ELECTRICAL

Power Supply	AC 100 V ~ 240 V (50/60 Hz)
Normal Operation	578 W (typ.)
Power Off	<1W (typ.)

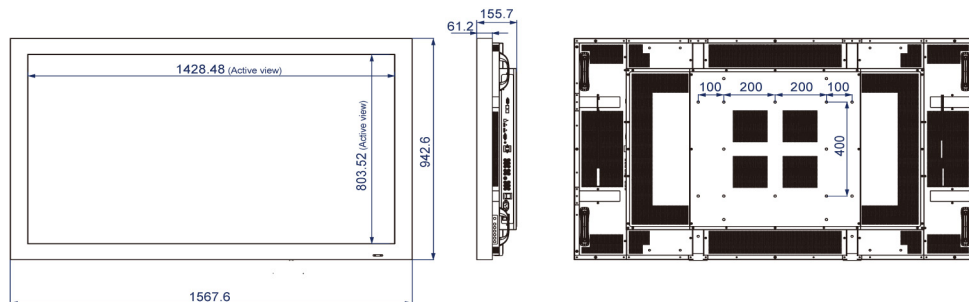
ENVIRONMENTAL

Operating Temperature	0°C~35°C, 85% RH
Storage Temperature	-20°C~60°C, 85% RH

OPTIONS

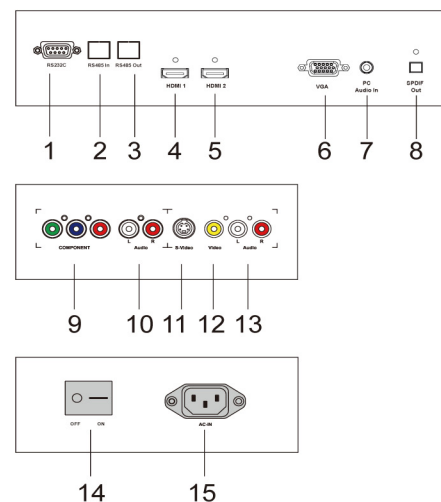
HD-SDi	In x 2, Out x 1
DC Out	12V, 2A
Speaker	4Ω / 10Wx2
Protective Surface	4mm Tempered Glass
Touch	Optical Touch
Stand	Aluminum Stands

DIMENSIONS



Unit : (mm)

INTERFACE



1. RS232C
2. RS485 In
3. RS485 Out
4. HDMI 1
5. HDMI 2
6. VGA
7. PC Audio In
8. S-PDIF Out
9. Component
10. Audio In
11. S-Video
12. Video
13. Audio In
14. Power Switch
15. AC-In Connector



The lamps in this product contain mercury. Please dispose according to state, Local or Federal Law.



Tested To Comply With FCC Standards

* Optical specifications without glass.

** Weight and dimensions are approximate. Specifications and design are subject to change without notice. This product may be subject to export control regulations.