



KT-LT70LS

70" Full-HD LCD Touch Monitor

The KT-LT70LS display represents the cutting-edge of direct-view LCD technology. It combines ultra-high resolution and unparalleled image quality with configurable I/O in a large format for a wide range of digital signage and control-room applications. With its accurate and smooth touch capability, it will take viewers' experience to a whole new level.

Key Features

■ **Superior Resolution**

Full-HD 1080p (1920 x 1080)

■ **Ultra-Wide Viewing Angle**

178 degree viewing angle

■ **Prolonged Life**

50,000 hours of viewing time to half of its original brightness

■ **Durable and Professional Design**

All metal structure
Simplicity bezel design to keep the focus on the content

■ **Optical Touch**

Precise and fast-response touch technology

Brightness

600 cd/m²

Contrast Ratio

1500:1

Viewing Angle

178° (H/V)

Response Time

8ms (GTG)

Display Resolution

1920 x 1080

70" Full-HD LCD Touch Monitor

LCD PANEL

Brightness	600 cd/m ²
Contrast Ratio	1500:1
Viewing Angle	H:178° / V:178°
Response Time	8 ms (GTG)
Supported Colors	16.7M colors
Display Resolution	1920 x 1080 (16:9)
Display Frame Rate	120Hz

SIGNAL COMPATIBILITY / CONNECTIVITY

Horizontal / Vertical Frequency	30 ~ 90 KHz / 56 ~ 75 Hz
Input Resolution	1920 x 1080 @ 60Hz (Analog) 1920 x 1080 @ 60Hz (Digital)
Connector	HDMI 1.3 x 2 / VGA / Component / S-V / AV
Audio In	Mini jack-PC audio in, RCA audio in x 2
Audio Out	S-PDIF out
Communication Port (Transport Protocol)	D-Sub 9 Pin In (RS232C In)

MECHANICAL

Dimensions	1677.6 x 999.6 x 154.5 mm
Weight	85kg / 187.39lbs
Wall / Arm Mount Type	400 mm x 400 mm / 600 mm x 400 mm VESA
Fanless Design	Yes

OSD FUNCTIONS

OSD Control Function	RS232C, Push Button, IR Remote Controller
OSD Language Function	English, Chinese
Multimedia	PIP, PBP (side by side) , Zoom
Source Auto Detect	Yes
OSD Key Lock Function	Yes

ELECTRICAL

Power Supply	AC 100V ~ 240V (50/60 Hz)
Normal Operation	750W (typ.)
Power Off	<1W (typ.)

ENVIRONMENTAL

Operating Temperature	0 °C ~ 35 °C, 85% RH
Storage Temperature	-20 °C ~ 60 °C, 85% RH

TOUCH PANEL

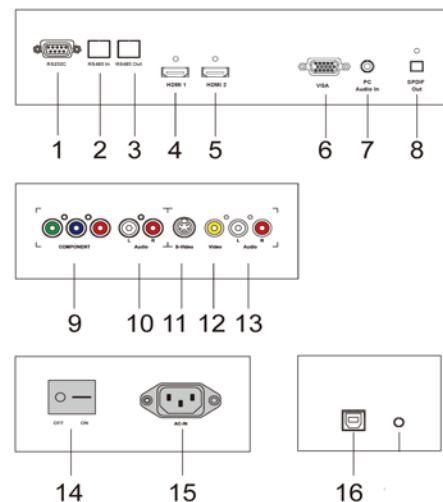
Interface	USB HID (Optional RS232 UART)
Operating Systems	Windows 98 / NT / 2000 / XP / Vista / 7, Mac OS, Linux

OPTIONS

DC Out	12V, 2A
Speaker	4Ω / 10Wx2
Other	Aluminum Stands, IPC bracket

DIMENSIONS

INTERFACE



1. RS232C
2. RS485 In
3. RS485 Out
4. HDMI 1
5. HDMI 2
6. VGA
7. PC Audio In
8. S-PDIF Out
9. Component
10. Audio In
11. S-Video
12. Video
13. Audio In
14. Power Switch
15. AC-In Connector
16. Touch USB



The lamps in this product contain mercury. Please dispose according to state, local or federal law.



Tested To Comply With FCC Standards

* Optical specifications without glass.

** Weight and dimensions are approximate. Specifications and design are subject to change without notice. This product may be subject to export control regulations.